



Refrigerated DisplayCase
KCD-36 KCD-48 KCD-60

Durable Design

- Forced air, self-contained refrigerated merchandiser
- Modern design for merchandising beverages, cheese, sandwiches and much more
- Exterior and interior tempered safety glass
- Two removable rear sliding glass doors
- Designed for mobility, reliability & efficiency in commercial kitchens
- Height Adjustable shelves
- Four adjustable feet
- Simple plug-in installation

Energy Efficiency

- Digital temperature readout display with electronic thermostatic control
- Double layer glass and there is air duct outside front glass to remove condensation water
- LED lighting at top
- Automatic defrost system
- Unit maintains 36°F - 41°F

Superior Quality

- Stainless steel lower body panels
- Solid body construction
- Certified to ETL safety and sanitation standards
- CFC-free refrigerant R290

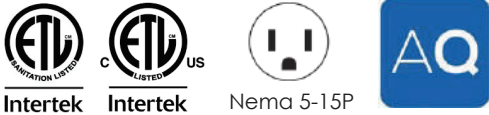


Attractively designed base allows display to be used either as a drop-in or as a free standing countertop unit.

MODEL NUMBER	CAPACITY (cubic feet)	VOLTAGE	AMPS	COMPRESSOR	NET WEIGHT	SHIPPING WEIGHT	OVERALL DIMENSION	SHIPPING DIMENSION
KCD-36	5.4	120V/60Hz/1P	3A	1/3 HP	153.2 lbs	160.9 lbs	34.6 x 22.6 x 27.4 in	37.4 x 24.7 x 28.9 in
KCD-48	7.2	120V/60Hz/1P	3.9A	1/3 HP	206.1 lbs	233.7 lbs	48.0 x 22.6 x 27.4 in	50.8 x 24.7 x 28.9 in
KCD-60	9.4	120V/60Hz/1P	5A	1/3 HP	267.9 lbs	309.7 lbs	60.0 x 22.6 x 27.4 in	62.8 x 24.7 x 28.9 in

Project Name:	
Location:	
Item:	Qty:
Model:	

Warranty: 12 months parts and labor.



3560 NW 56th St. Fort Lauderdale, FL 33309
Telephone: 786.600.4687 / Toll Free: 844.218.8477
Fax: 786.661.4100

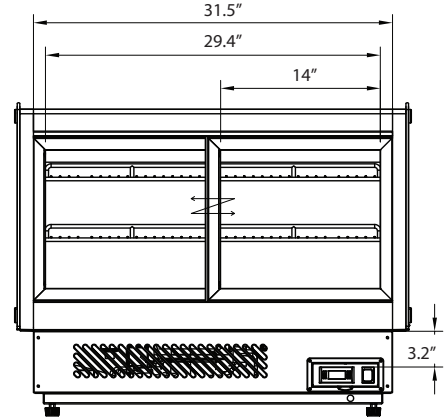
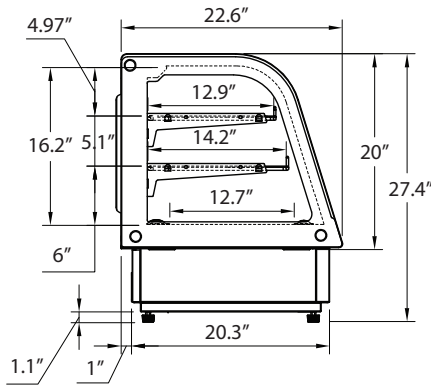
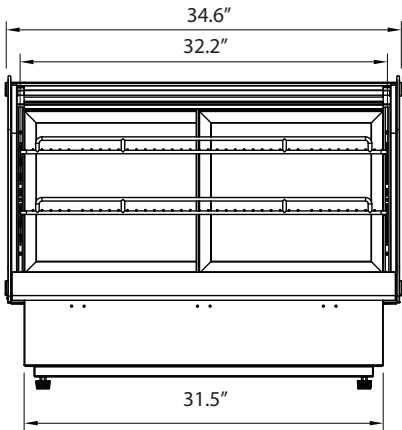
5659 Royalmount Ave.
Montreal, QC, Canada H4P 2P9
Telephone: 514.737.9701 / Toll Free: 888.275.4538
Fax: 514.342.3854 / Toll Free: 877.453.8832
sales@mvpgroupcorp.com / mvpgroupcorp.com



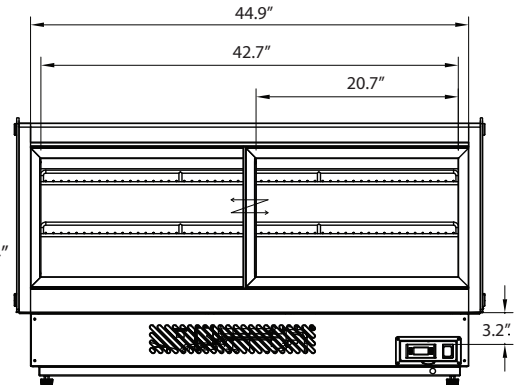
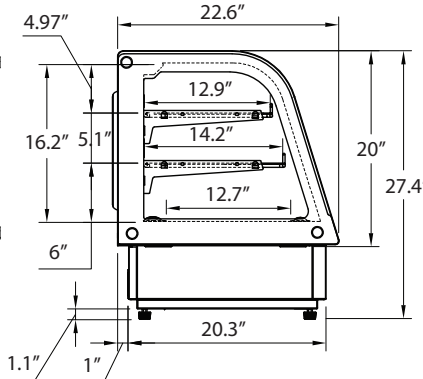
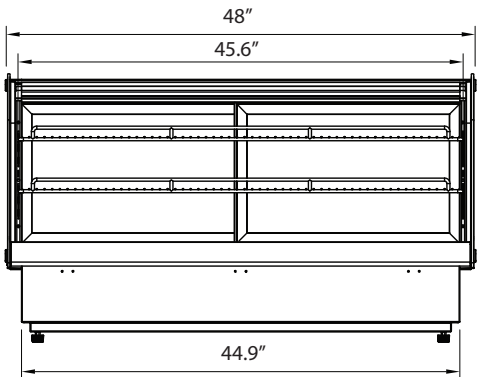
Refrigerated DisplayCase

KCD-36 KCD-48 KCD-60

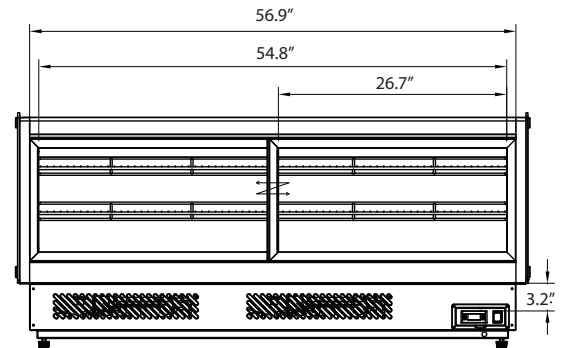
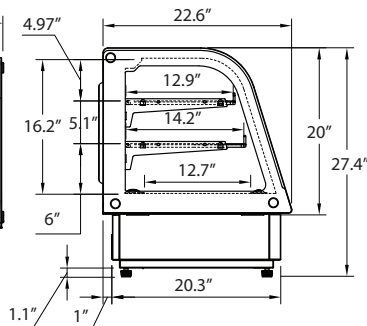
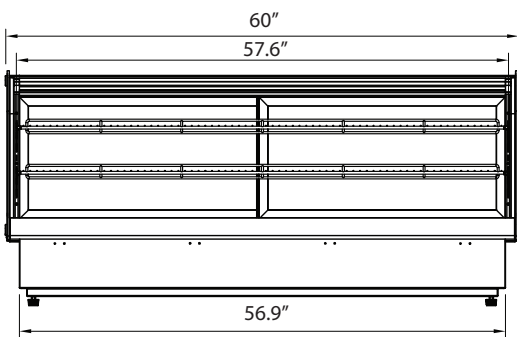
KCD-36



KCD-48



KCD-60



KOOL-IT is a registered trademark of MVP Group.
Specifications subject to change without notice.



3560 NW 56th St. Fort Lauderdale, FL 33309
Telephone: 786.600.4687 / Toll Free: 844.218.8477
Fax: 786.661.4100

5659 Royalmount Ave.
Montreal, QC, Canada H4P 2P9
Telephone: 514.737.9701 / Toll Free: 888.275.4538
Fax: 514.342.3854 / Toll Free: 877.453.8832
sales@mvpgroupcorp.com / mvpgroupcorp.com